

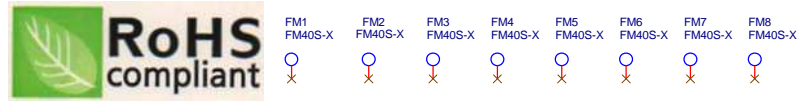
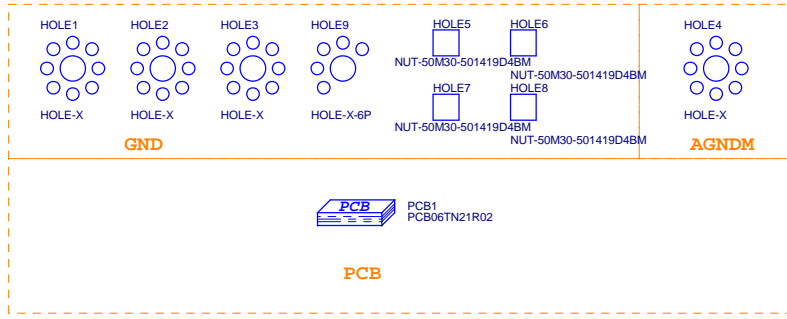
WAND REV:C1

PCB SN:100300490411

L=4, 95 x 95 mm

PAGE TITLE

- P01 Index
- P02 Expansion CONN.
- P03 DC-DC & M-SD
- P04 HOST & Client
- P05 Audio & RJ45
- P06 LVDS & HDMI & SATA



WANDBOARD DESIGN AND DISCLAIMER

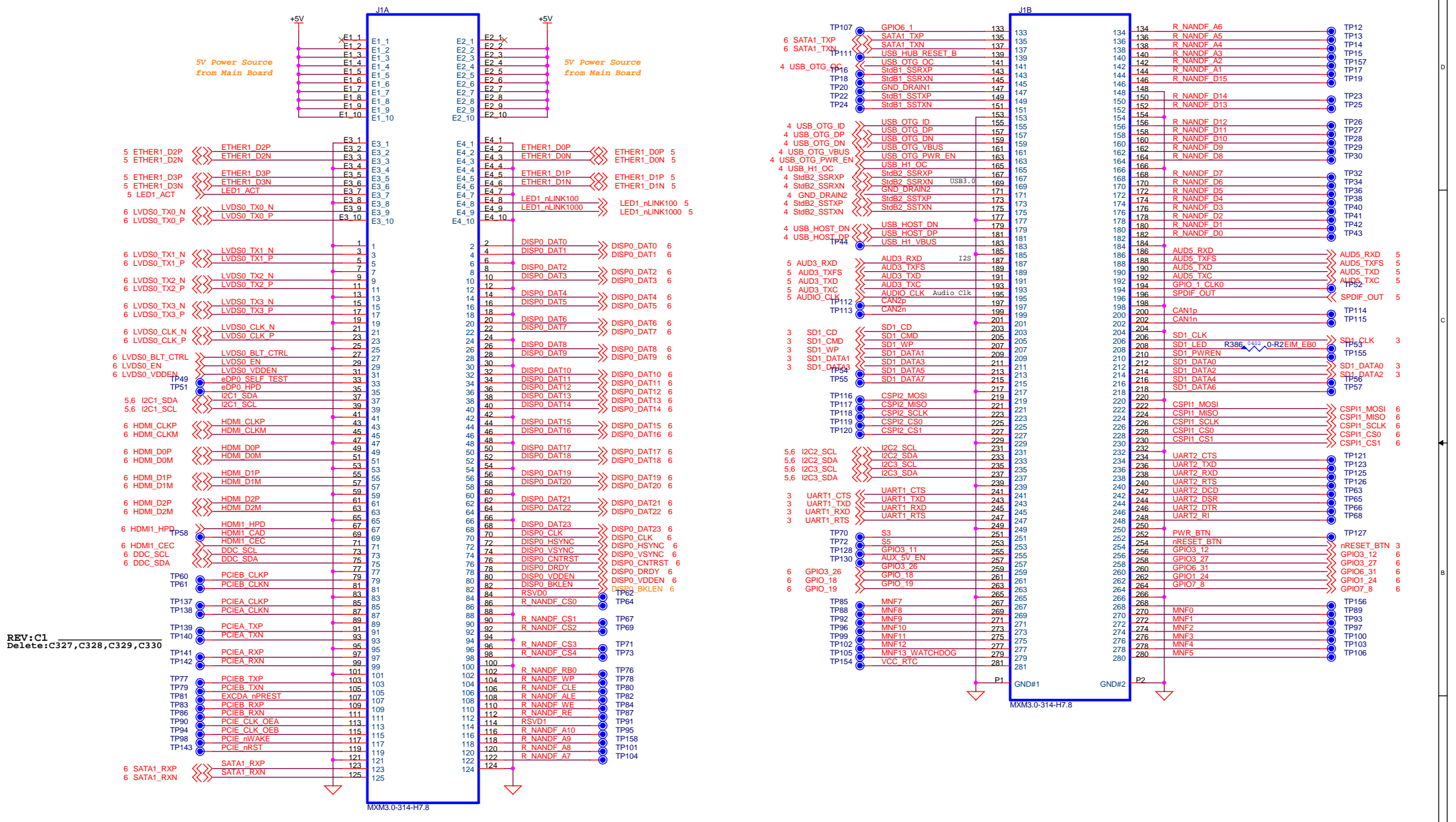
These design materials referred to in this document are ***NOT SUPPORTED*** and DO NOT constitute a reference design. Only "community" support is allowed via resources at Wandboard.org forums.

THERE IS NO WARRANTY FOR THE DESIGN MATERIALS, TO THE EXTENT PERMITTED BY APPLICABLE LAW. EXCEPT WHEN OTHERWISE STATED IN WRITING THE COPYRIGHT HOLDERS AND/OR OTHER PARTIES PROVIDE THE DESIGN MATERIALS "AS IS" WITHOUT WARRANTY OF ANY KIND, EITHER EXPRESSED OR IMPLIED, INCLUDING, BUT NOT LIMITED TO, THE IMPLIED WARRANTIES OF MERCHANTABILITY AND FITNESS FOR A PARTICULAR PURPOSE. THE ENTIRE RISK AS TO THE QUALITY AND PERFORMANCE OF THE DESIGN MATERIALS IS WITH YOU. SHOULD THE DESIGN MATERIALS PROVE DEFECTIVE, YOU ASSUME THE COST OF ALL NECESSARY SERVICING, REPAIR OR CORRECTION.

This board was designed as an evaluation and development tool. It was not designed with any other application in mind. As such, these design materials may or may not be suitable for any other purposes. If used, the design material becomes your responsibility as to whether or not it meets your specific needs or your specific applications and may require changes to meet your requirements.

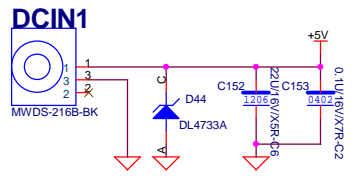
WANDBOARD.ORG		
Title		
INDEX		
Size Custom	Document Number	Rev C1
WAND		
Date: Wednesday, April 23, 2014	Sheet 1	of 6

Board to Board

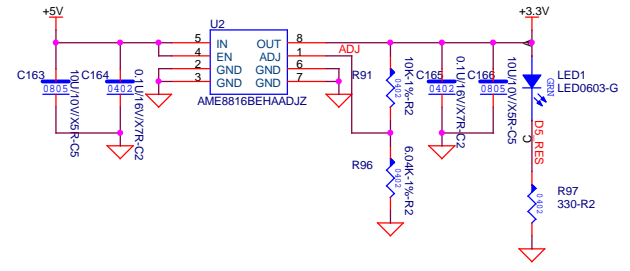


REV: C1
Delete: C327, C328, C329, C330

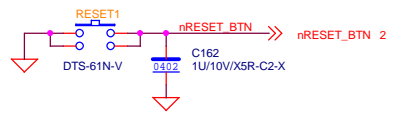
DC JACK



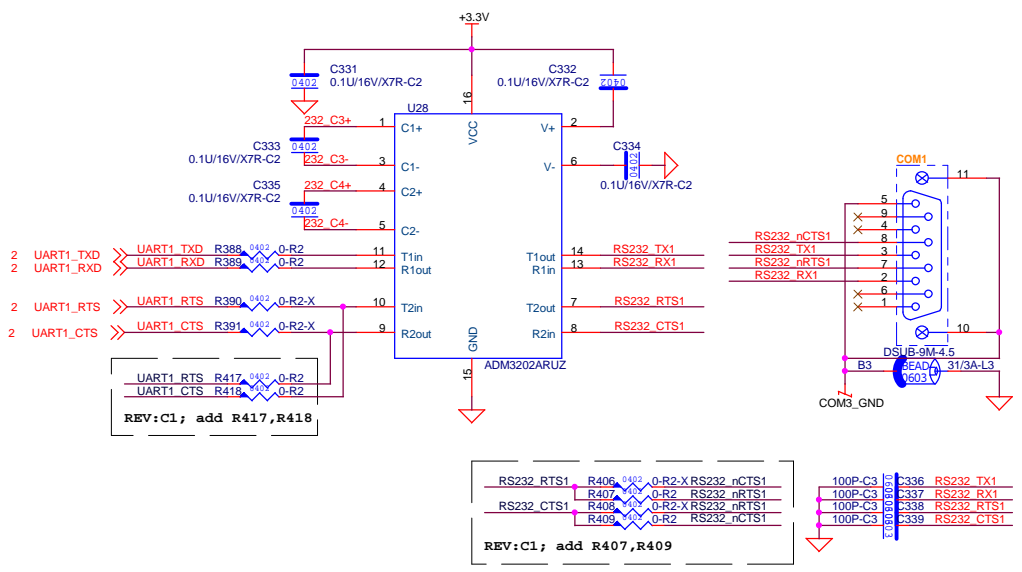
DC-DC



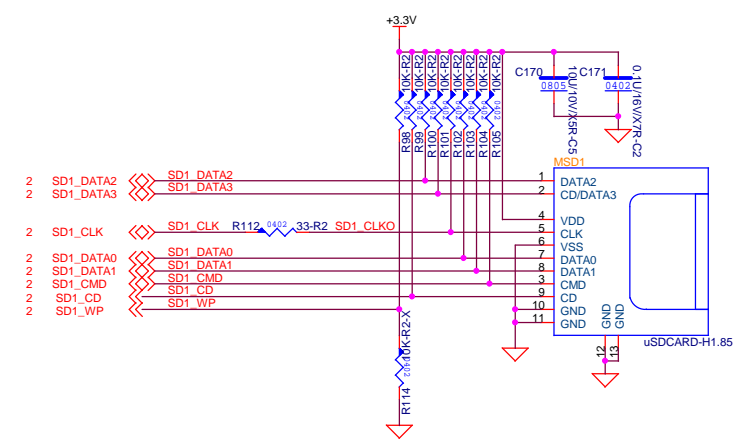
Button



UART



Micro-SD



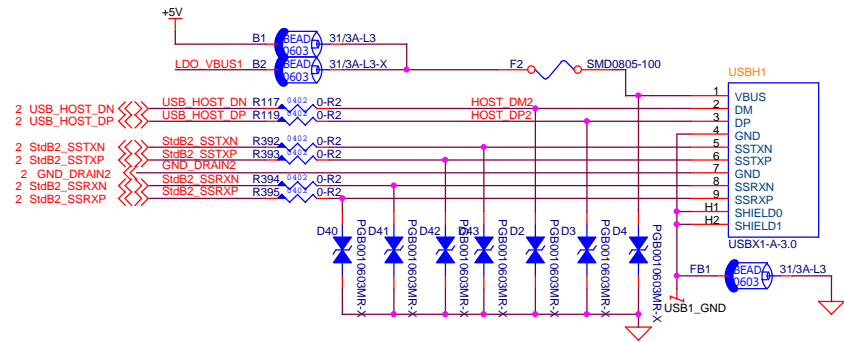
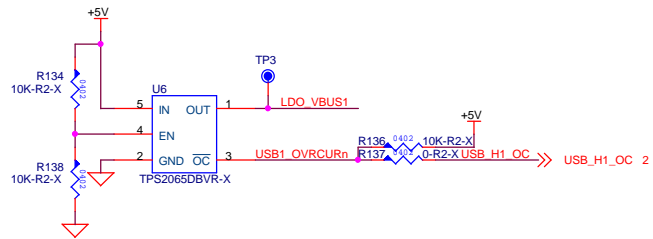
WANDBOARD.ORG

Title: **DC-DC & M-SD & RJ45 & RTC**

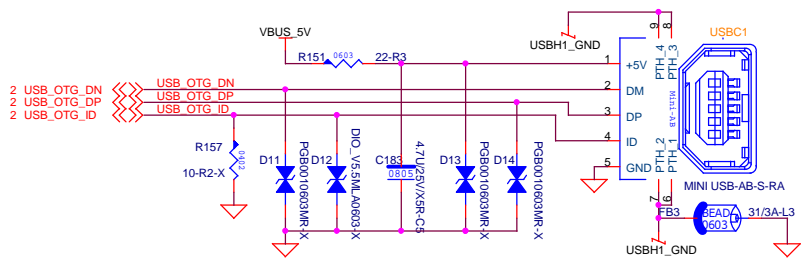
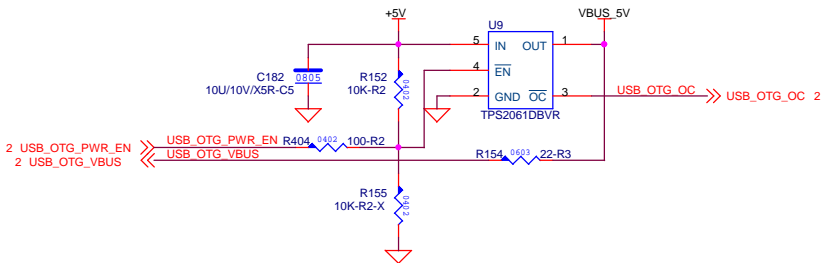
Size: Custom Document Number: **WAND** Rev: **C1**

Date: Wednesday, April 23, 2014 Sheet 3 of 6

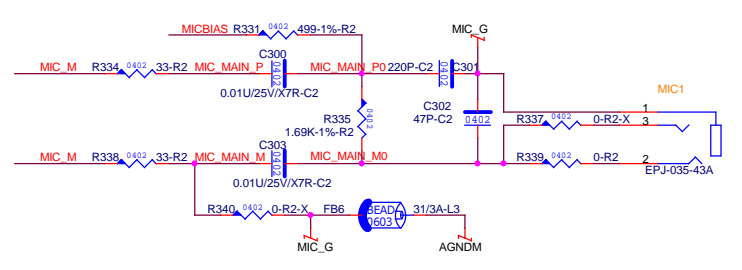
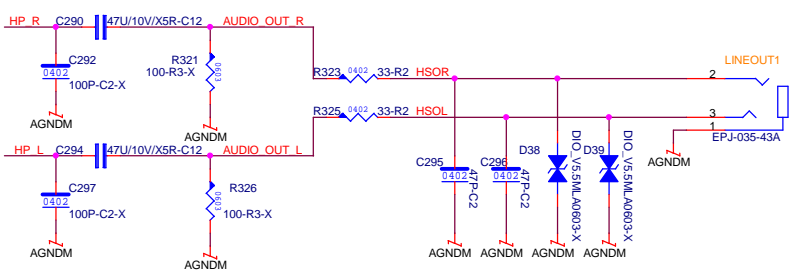
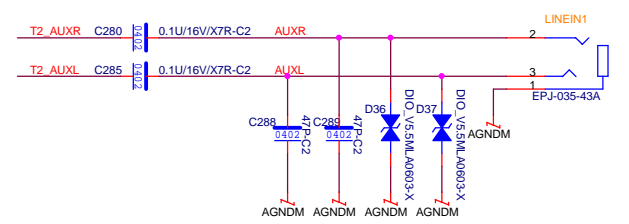
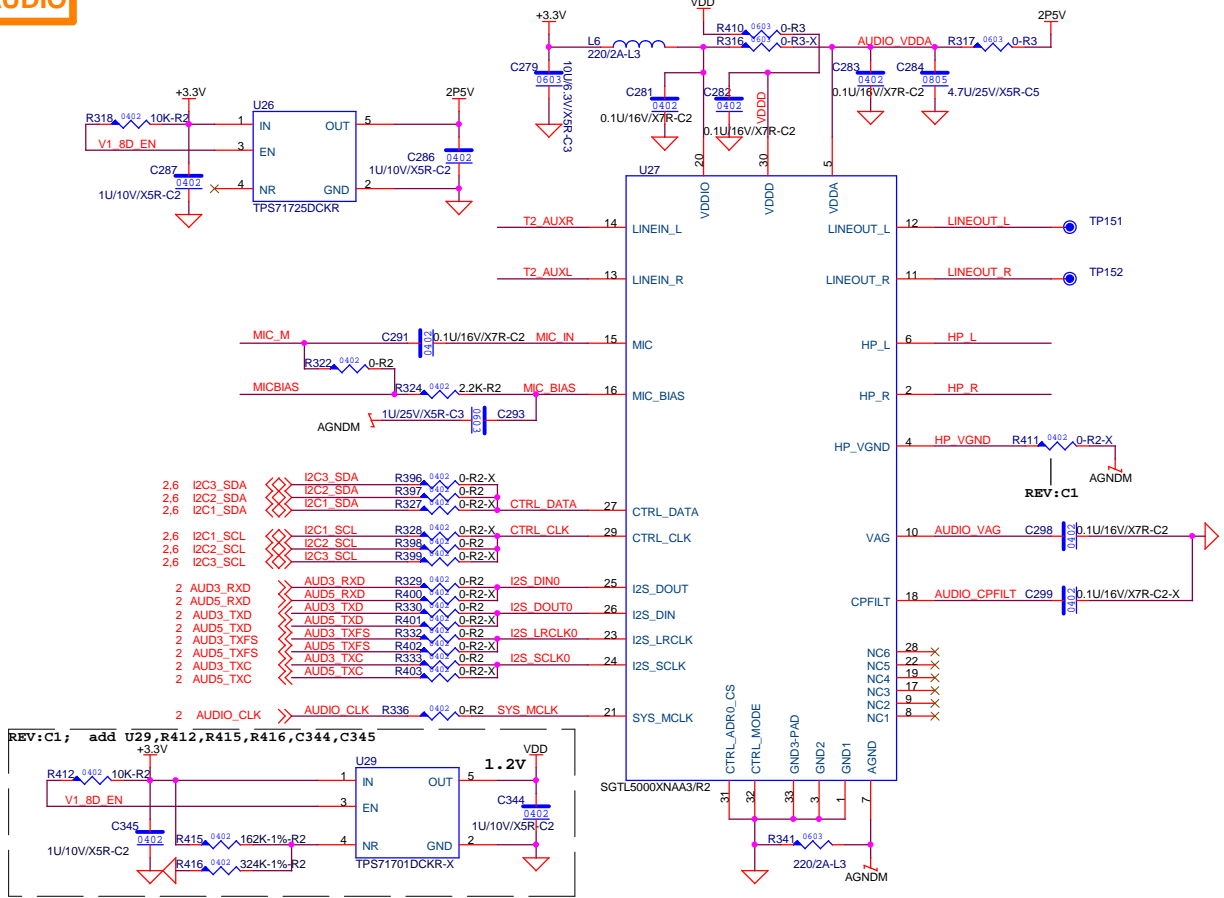
HOST USB



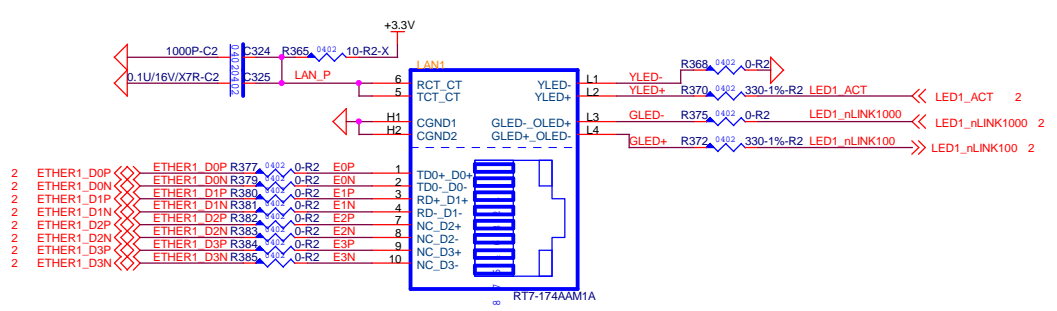
OTG USB



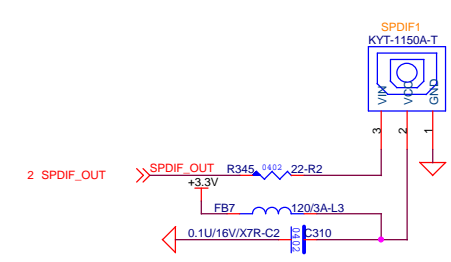
AUDIO



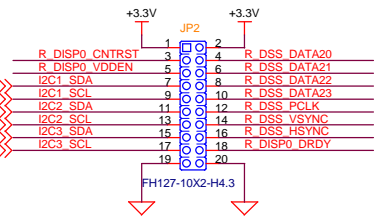
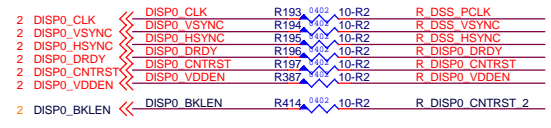
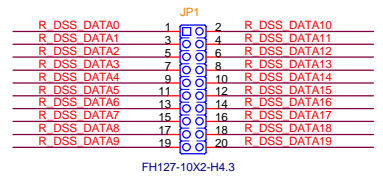
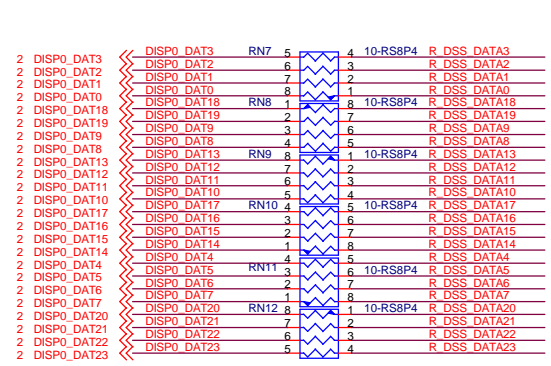
RJ45



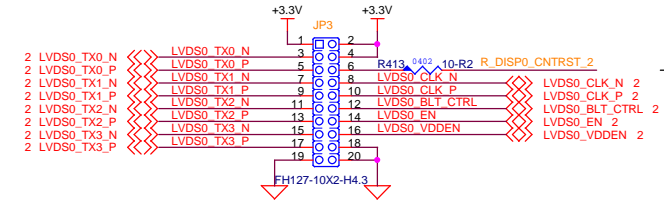
SPDIF



TTL

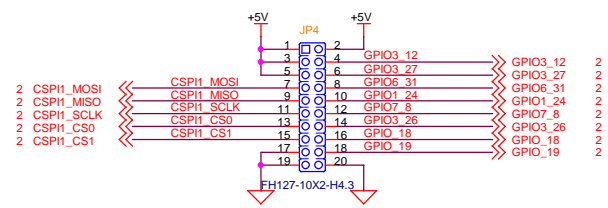


LVDS

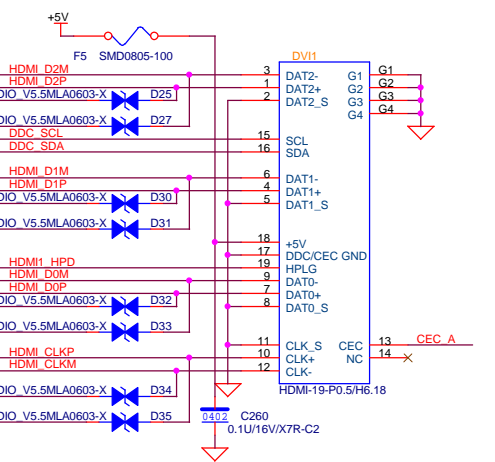
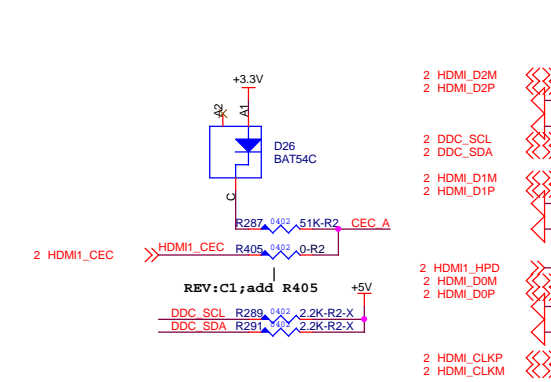


REV:C1;add R413,R414
add PWM Function

SPI



HDMI



SATA

