

# WB-EDM-iMX6 REV:C1

PCB SN:101200480811

L=8, 82 x 60mm

PAGE TITLE

P01 Index

P02 IMX6\_POWER

P03 IMX6\_DDR3

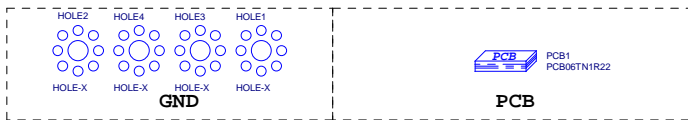
P04 IMX6\_SOC

P05 IMX6\_USB

P06 GiGa Ethernet

P07 WLAN & BT

P08 Expansion CONN.



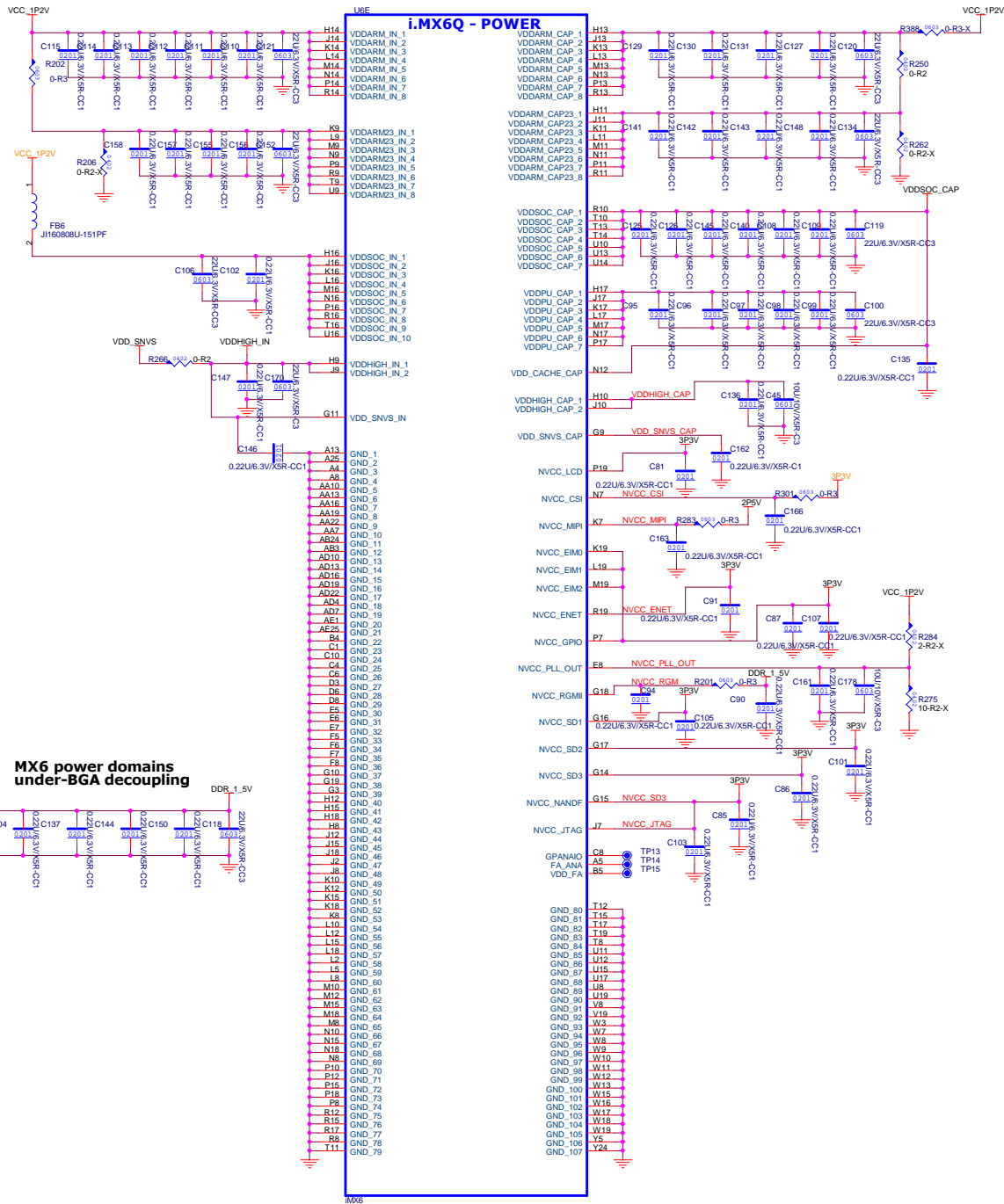
## WANDBOARD DESIGN AND DISCLAIMER

These design materials referred to in this document are \*NOT SUPPORTED\* and DO NOT constitute a reference design. Only "community" support is allowed via resources at Wandboard.org forums.

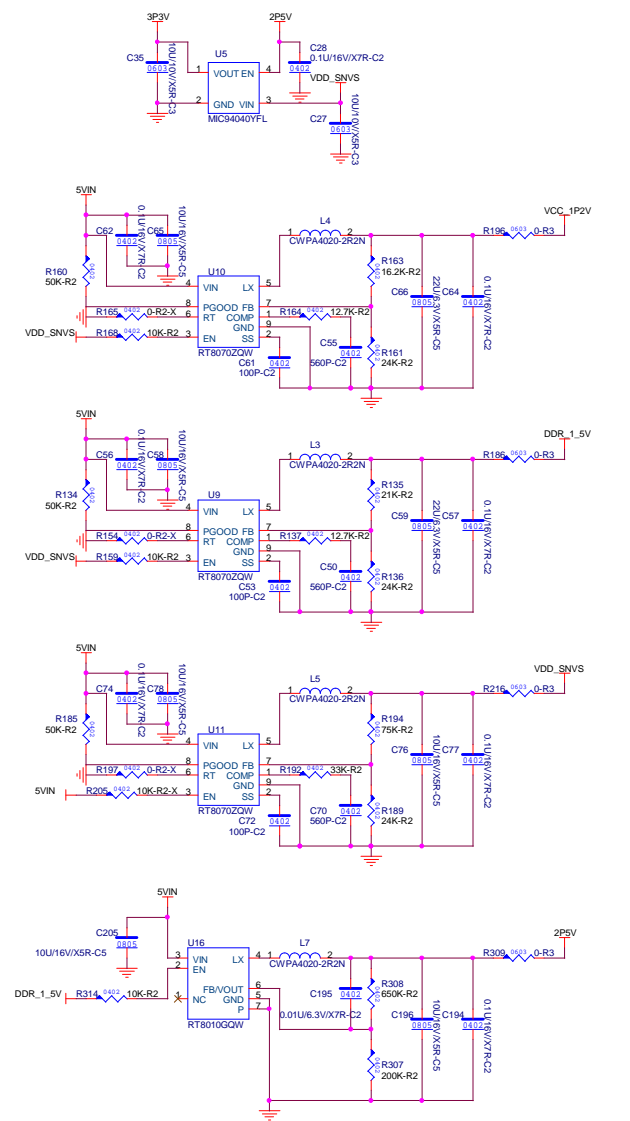
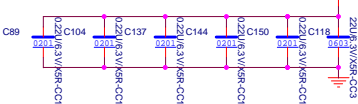
THERE IS NO WARRANTY FOR THE DESIGN MATERIALS, TO THE EXTENT PERMITTED BY APPLICABLE LAW. EXCEPT WHEN OTHERWISE STATED IN WRITING THE COPYRIGHT HOLDERS AND/OR OTHER PARTIES PROVIDE THE DESIGN MATERIALS "AS IS" WITHOUT WARRANTY OF ANY KIND, EITHER EXPRESSED OR IMPLIED, INCLUDING, BUT NOT LIMITED TO, THE IMPLIED WARRANTIES OF MERCHANTABILITY AND FITNESS FOR A PARTICULAR PURPOSE. THE ENTIRE RISK AS TO THE QUALITY AND PERFORMANCE OF THE DESIGN MATERIALS IS WITH YOU. SHOULD THE DESIGN MATERIALS PROVE DEFECTIVE, YOU ASSUME THE COST OF ALL NECESSARY SERVICING, REPAIR OR CORRECTION.

This board was designed as an evaluation and development tool. It was not designed with any other application in mind. As such, these design materials may or may not be suitable for any other purposes. If used, the design material becomes your responsibility as to whether or not it meets your specific needs or your specific applications and may require changes to meet your requirements.

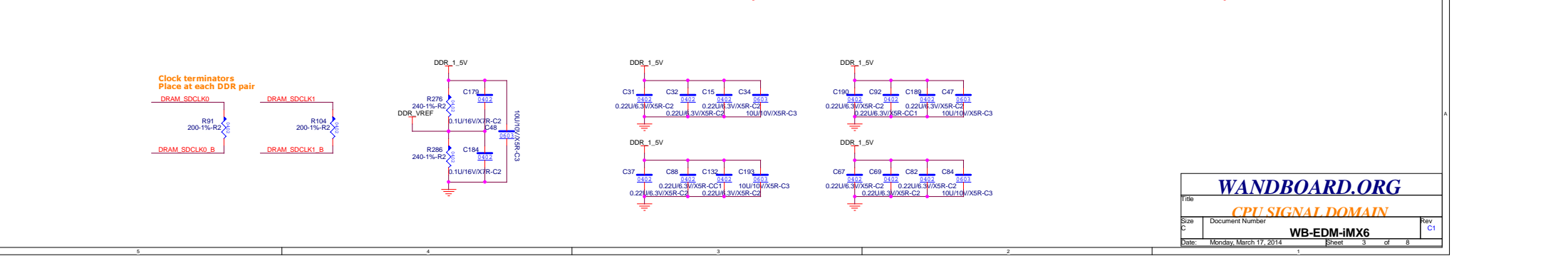
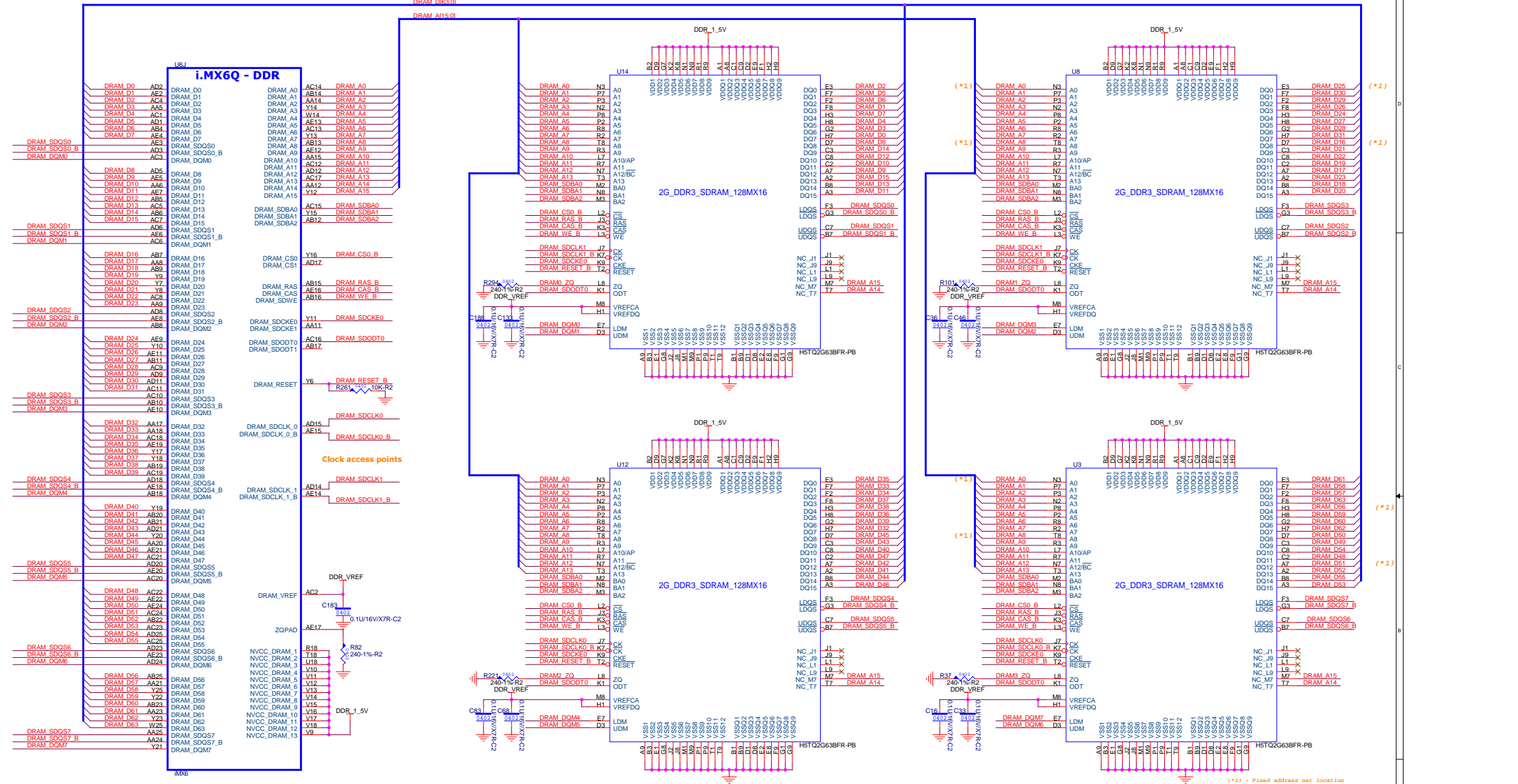
Title			WANDBOARD.ORG		
Size			BLOCK DIAGRAM		
Document Number		WB-EDM-IMX6		Rev	C1
Date: Monday, March 17, 2014			Sheet 1 of 8		



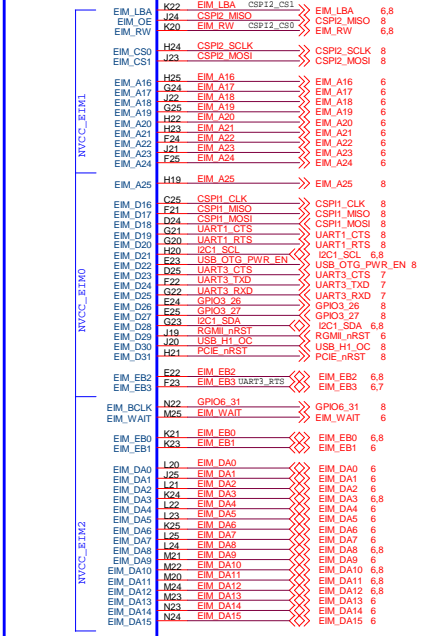
**MX6 power domains under-BGA decoupling**



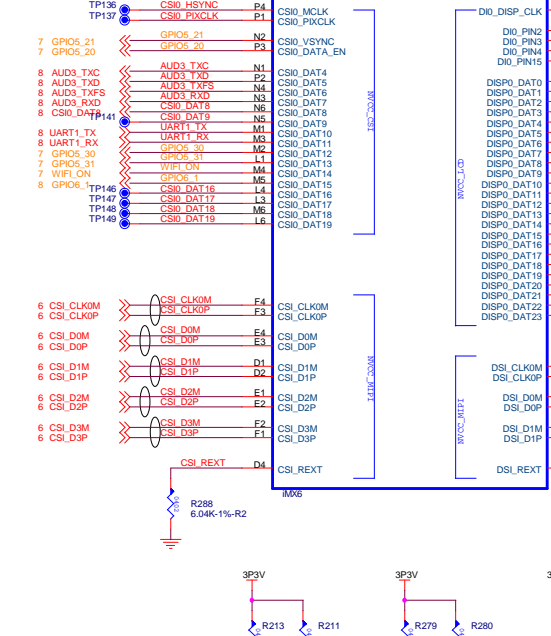
538-43660-0200-X



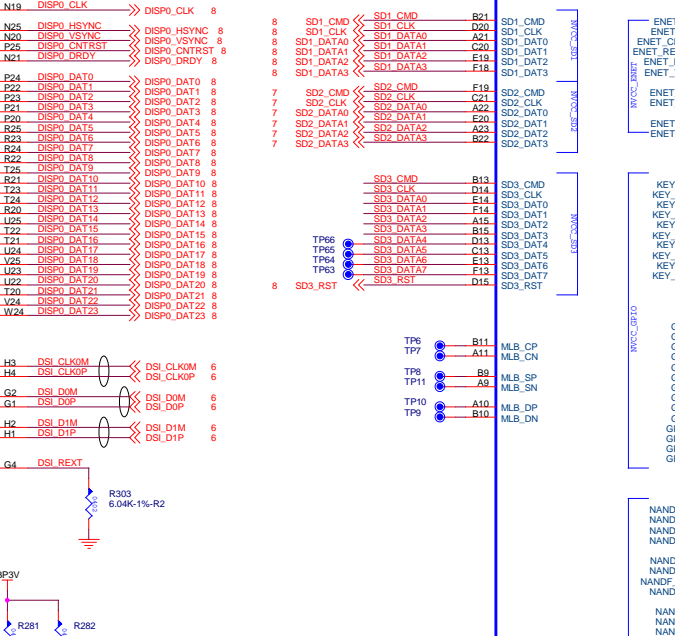
### USA i.MX6Q - EIM



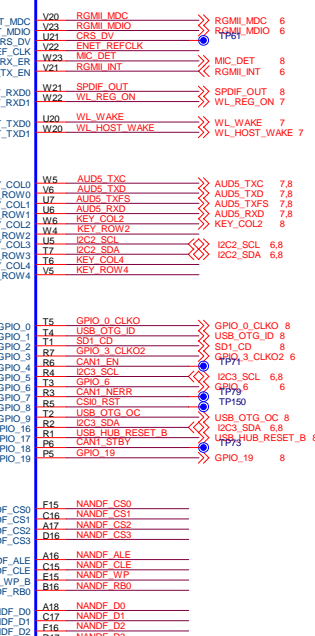
### USA i.MX6Q - DISP; CSI



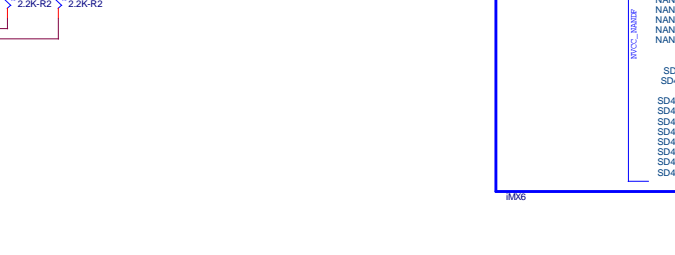
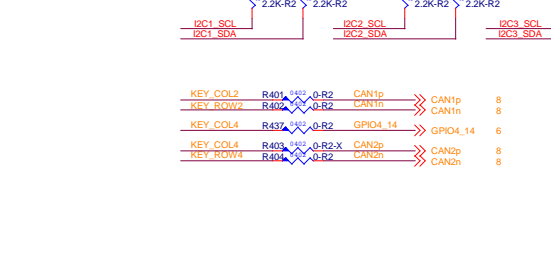
### USA i.MX6Q



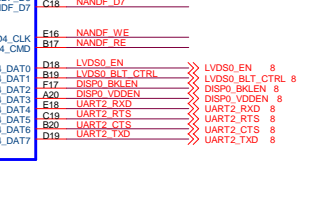
### USA i.MX6Q



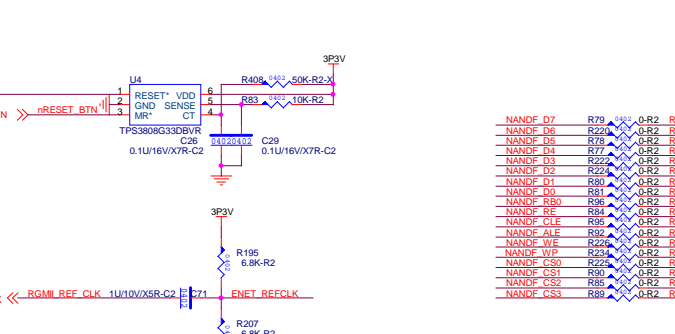
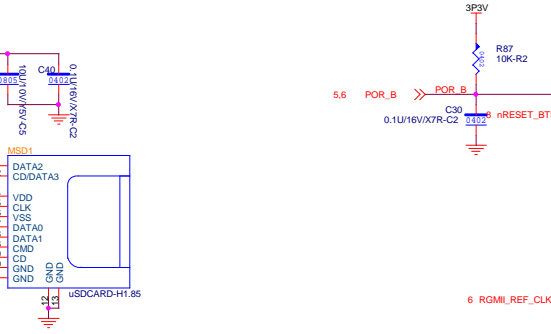
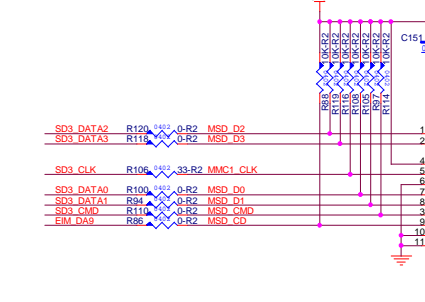
### MM6



### MM6



### USA



### USA

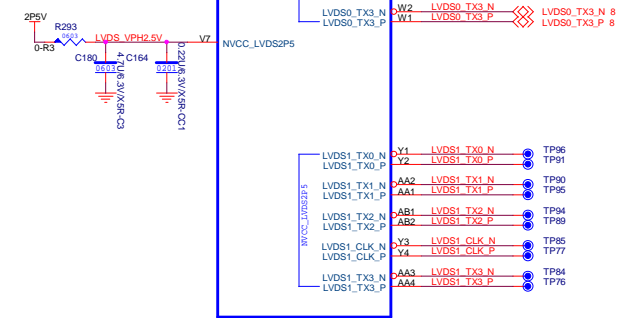
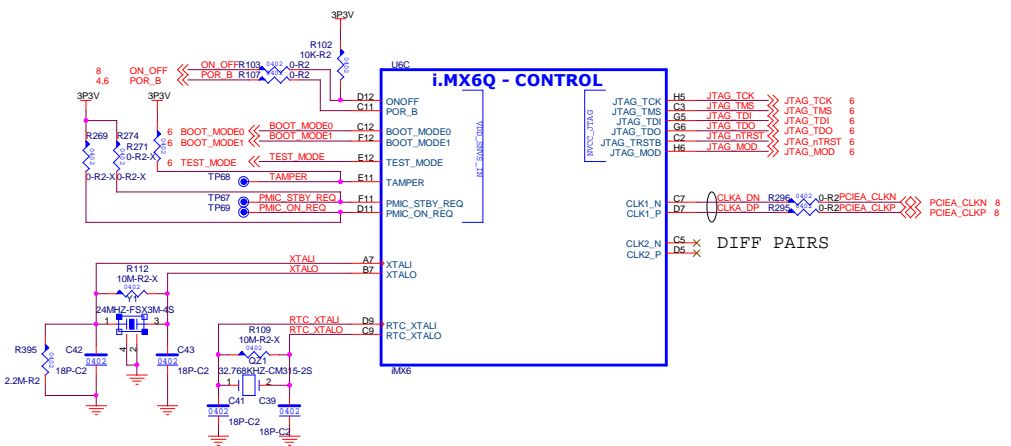
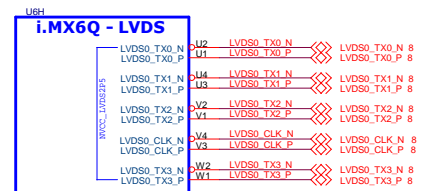
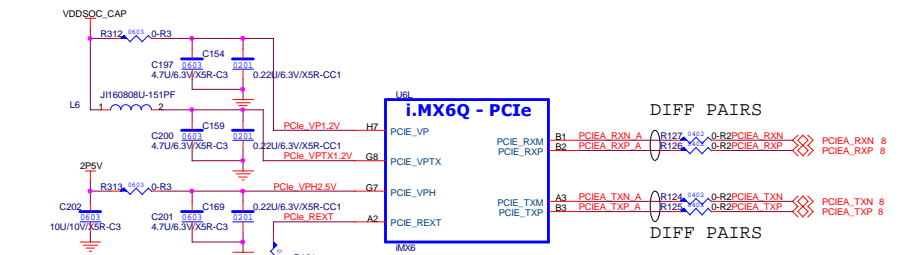
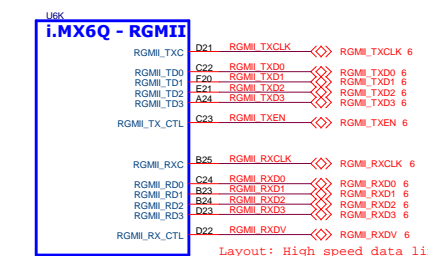
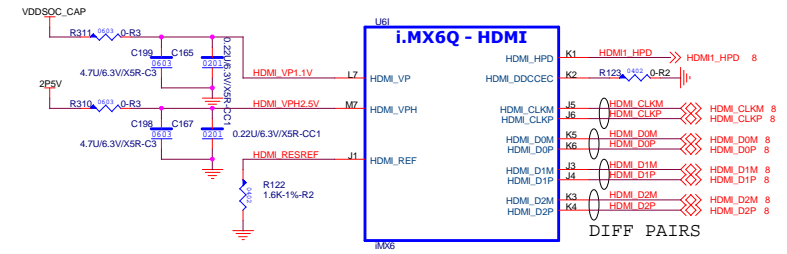
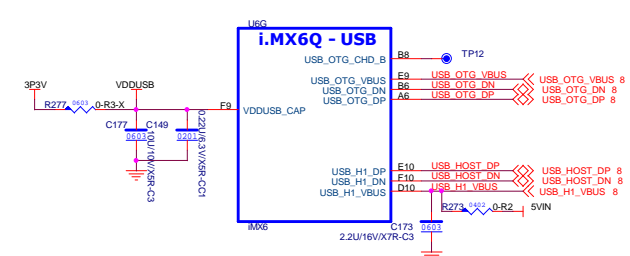
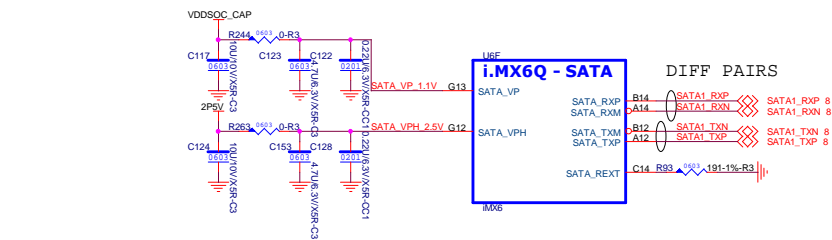


## WANDBOARD.ORG

### CPU SIGNAL DOMAIN

Size: Document Number: WB-EDM-IMX6 Rev: C1

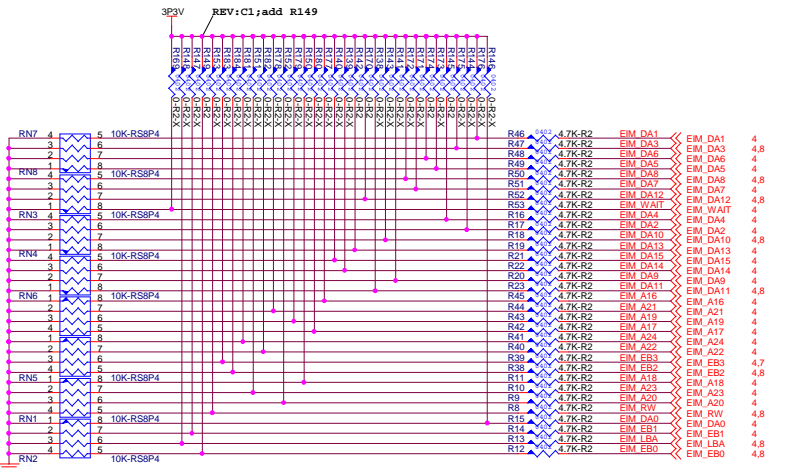
Date: Monday, March 17, 2014 Sheet: 4 of 8



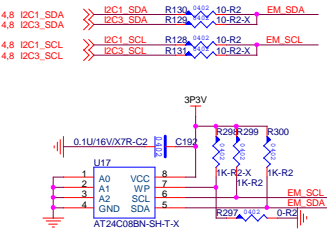
Layout: High speed data lines : 50 ohms  
Put the 33ohm resistors in this page near imx6Q

# Boot Config Select

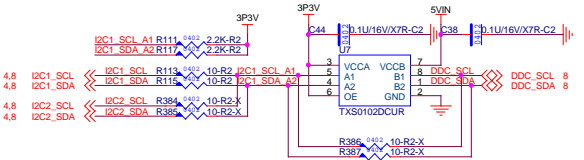
	CFG1_7	CFG1_6	CFG1_5	CFG1_4	CFG2_6	CFG2_5	CFG2_4	CFG2_3
	R171	R174	R173	R145	R139	R142	R170	R138
SD3	0	1	0	1	0	1	1	0
FLASH	1	X	X	X/0	X	X	X	X
i-NAND	0	1	1	X	1	0	1	0
SATA	0	0	1	0	X	X	X	X



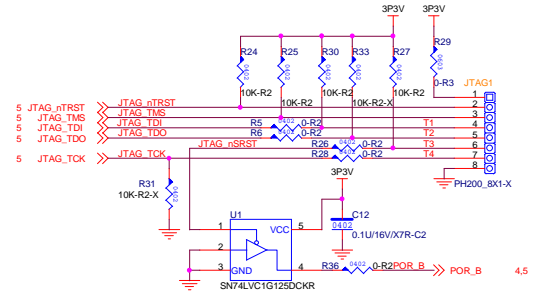
# EEPROM



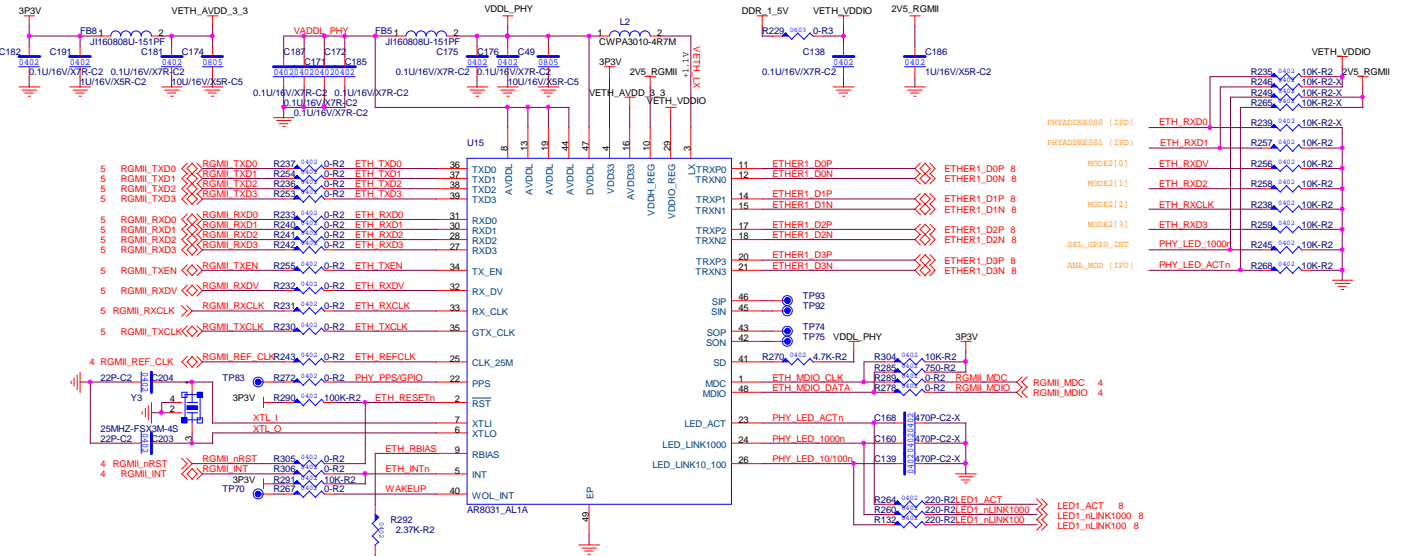
# DDC



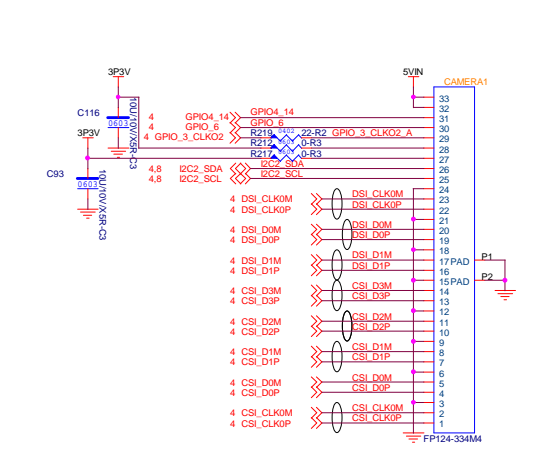
# JTAG



# Ethernet



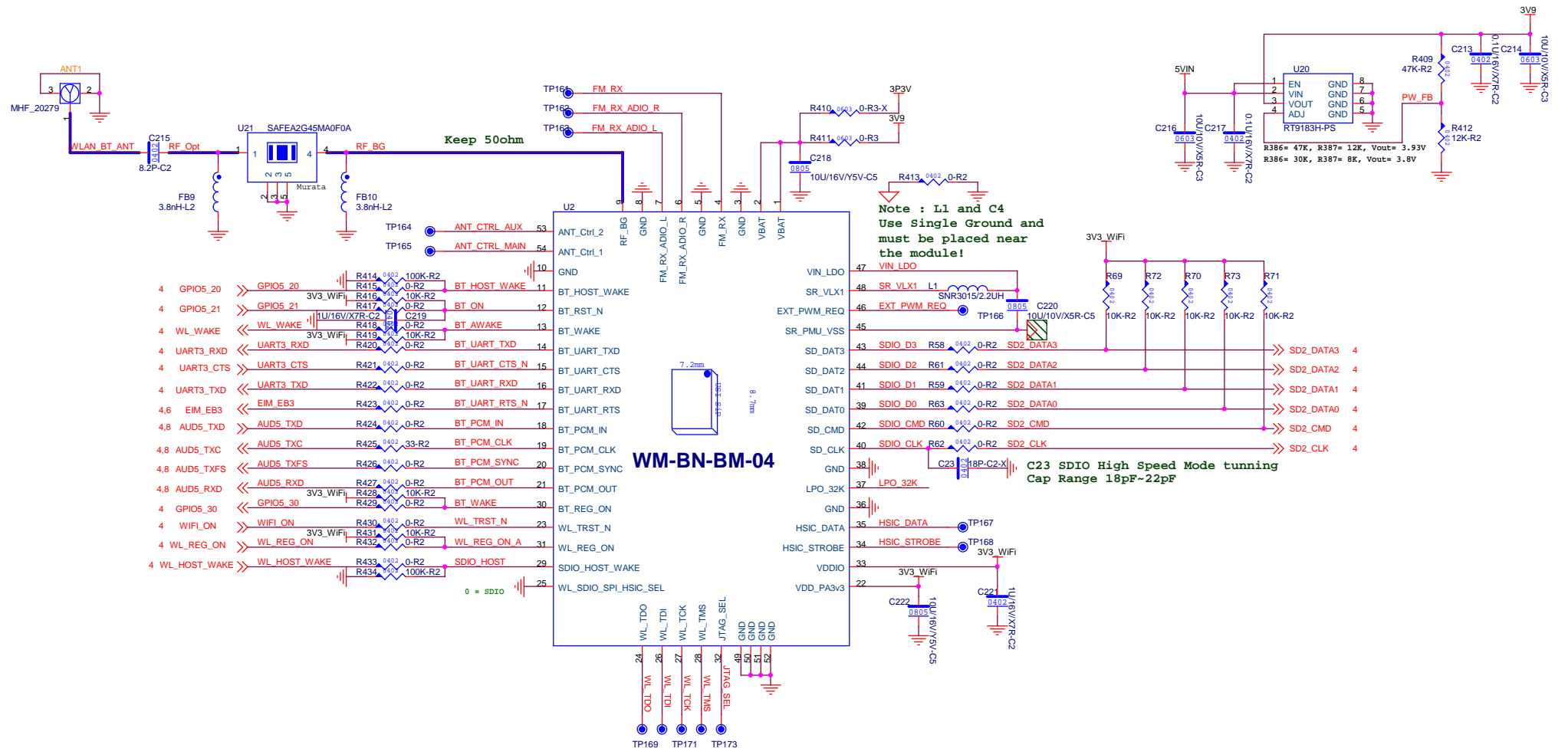
# CAMERA



**WANDBOARD.ORG**

**DIAGNOSTIC**

Title			Rev
Size	Document Number	WB-EDM-IMX6	
Date	Monday, March 17, 2014	Sheet	6 of 8



**WM-BN-BM-04**

- 4 GPIO5\_20 >> GPIO5\_20 >> BT\_HOST\_WAKE
- 4 GPIO5\_21 >> GPIO5\_21 >> BT\_ON
- 4 WL\_WAKE << WL\_WAKE << BT\_AWAKE
- 4 UART3\_RXD << UART3\_RXD << BT\_UART\_TXD
- 4 UART3\_CTS << UART3\_CTS << BT\_UART\_CTS\_N
- 4 UART3\_TXD << UART3\_TXD << BT\_UART\_RXD
- 4.6 EIM\_EB3 << EIM\_EB3 << BT\_UART\_RTS\_N
- 4.8 AUD5\_TXD << AUD5\_TXD << BT\_PCM\_IN
- 4.8 AUD5\_TXC << AUD5\_TXC << BT\_PCM\_CLK
- 4.8 AUD5\_TXFS << AUD5\_TXFS << BT\_PCM\_SYNC
- 4.8 AUD5\_RXD << AUD5\_RXD << BT\_PCM\_OUT
- 4 GPIO5\_30 << GPIO5\_30 << BT\_WAKE
- 4 WIFI\_ON >> WIFI\_ON >> WL\_TRST\_N
- 4 WL\_REG\_ON >> WL\_REG\_ON >> WL\_REG\_ON\_A
- 4 WL\_HOST\_WAKE >> WL\_HOST\_WAKE >> SDIO\_HOST

Board to Board

